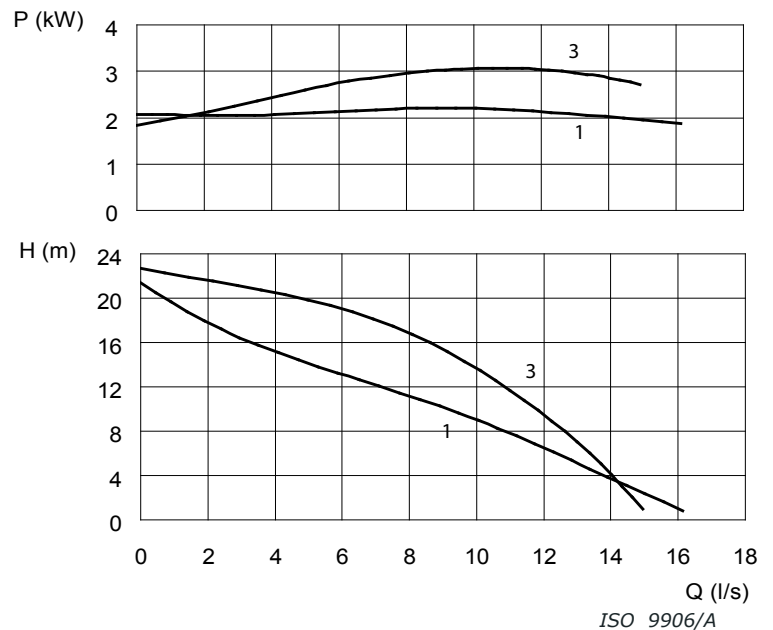
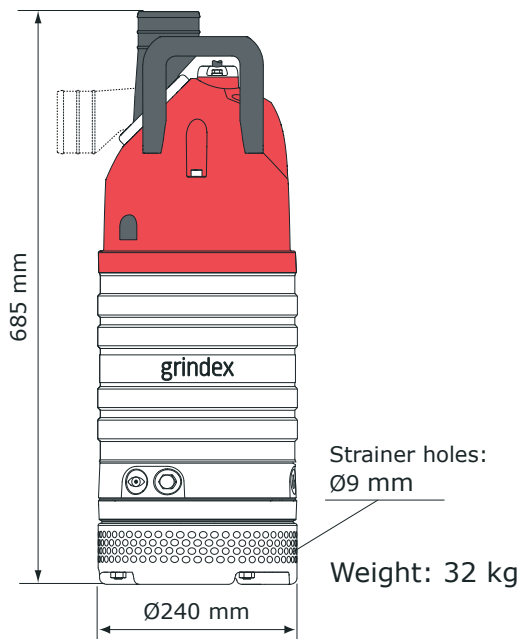


MINETTE

Electrical submersible pump



Pump types

- 1: 1-phase
- 3: 3-phase

Classification

Electrical submersible pump
Protection class: IP68

Electrical motor

1-phase: Squirrel cage induction motor with start and run capacitor
3-phase: Squirrel cage induction motor
Insulation class F (IEC 85)

Technical data		1-phase	3-phase
Shaft speed	rpm	3420	3410
Rated output	kW	1.8	2.6
Max. power cons.	kW	2.2	3.1
Rated current A at	230 V	9.9	
	460V		4.7
	575V		3.6

Other voltages on request

Motor protector

1- phase: Temperature guard with a thermal contact in stator opening temp 125°C, airvalve
3-phase: Phase sequence control, phase failure guard, temperature guard with thermal contacts in the stator opening temp 125°C, airvalve (= SMART-system)

Power cable-SUBCAB

1-phase: 3G1,5mm², lenght 20m
14AWG/3, lenght 16m
3-phase: 4G1,5mm², lenght 20m
14AWG/4, lenght 16m

Shaft seals

Cartridge seal with double mechanical face seals with oil compartment between the seals
Material lower seal: Tungsten carbide-Tungsten carbide
Material upper seal: Tungsten carbide-ceramic

Bearings

Ball bearing with C3 clearance

Discharge connection

3", Hose, ISO-G or NPT

Materials

Casted parts	Aluminium
Outer casing	Stainless steel
Stator housing	Stainless steel
Motor shaft	Stainless steel
Impeller	High chrome alloyed white cast iron
Suction cover	High chrome cast iron
Diffusers	Nitrile rubber
Screws and nuts	Stainless steel
O-rings	Nitrile rubber

Accessories

Zink anodes
Float switch (only 1-phase)

Limitations

Max. submersion depth: 20 m
Max. liquid temperature: 40°C
Max. liquid density: 1100 kg/m³
pH of the liquid: 5-8

Specifications can be changed without notice.